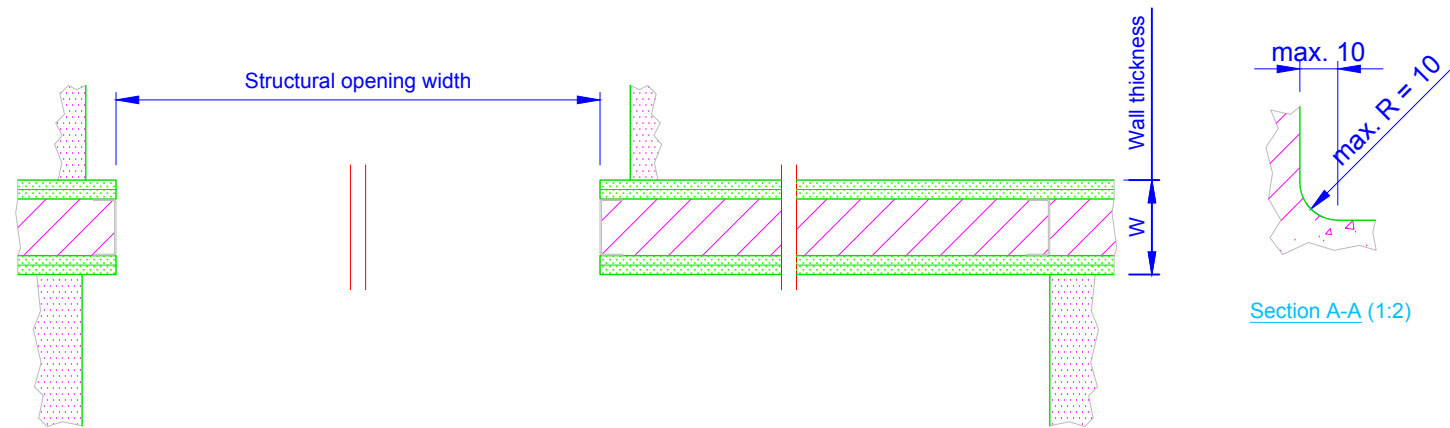
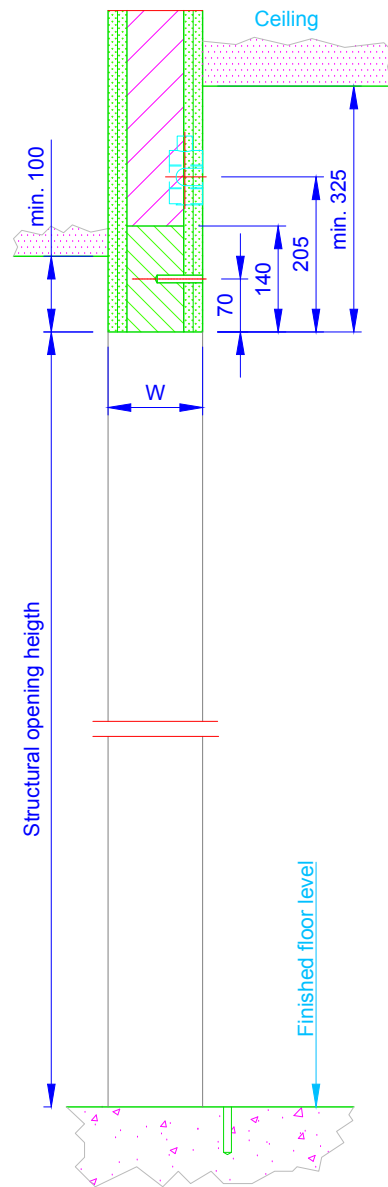


Frontview wall opening (1:30)



Section A-A (1:2)

Remarks :

The Clear Opening of wallframe straight and angled, suitable for fixing of alu. adjusting profiles.

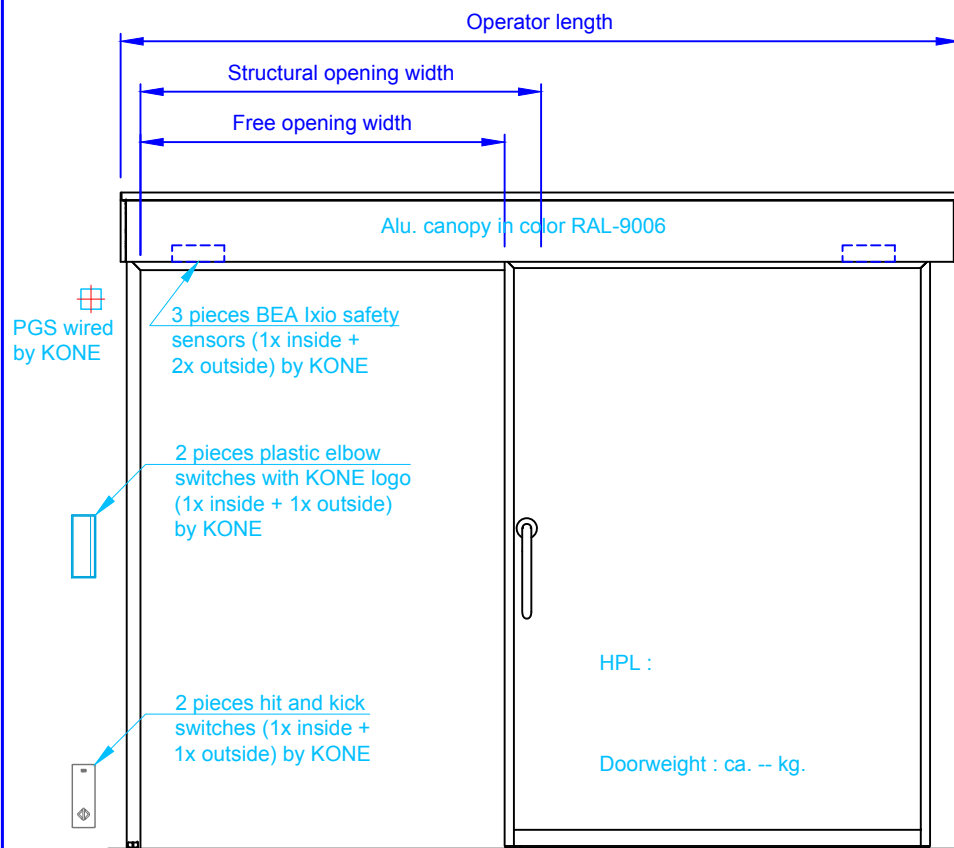
The wall and floor finishing must be ready before installation of the sliding door.

Material of wallframe : Steelplate or alu. tubeprofile  
Horizontal wooden beam min. 75 mm. in wall construction.

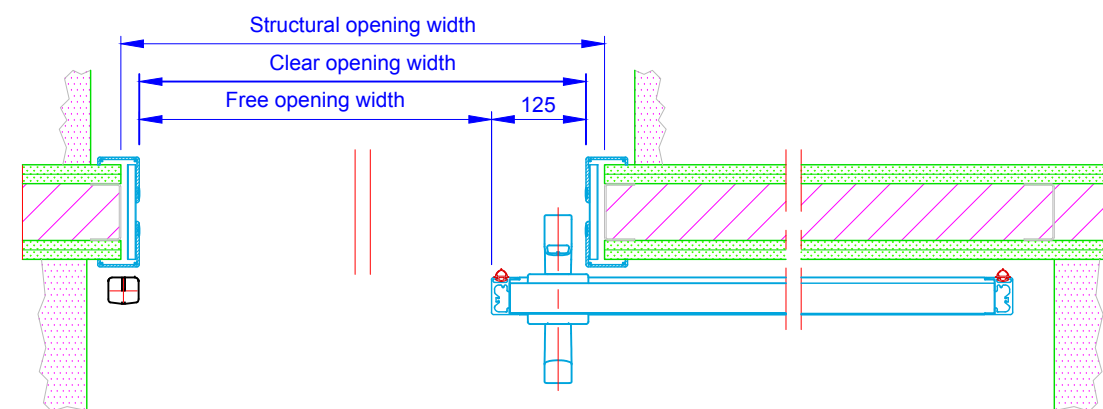
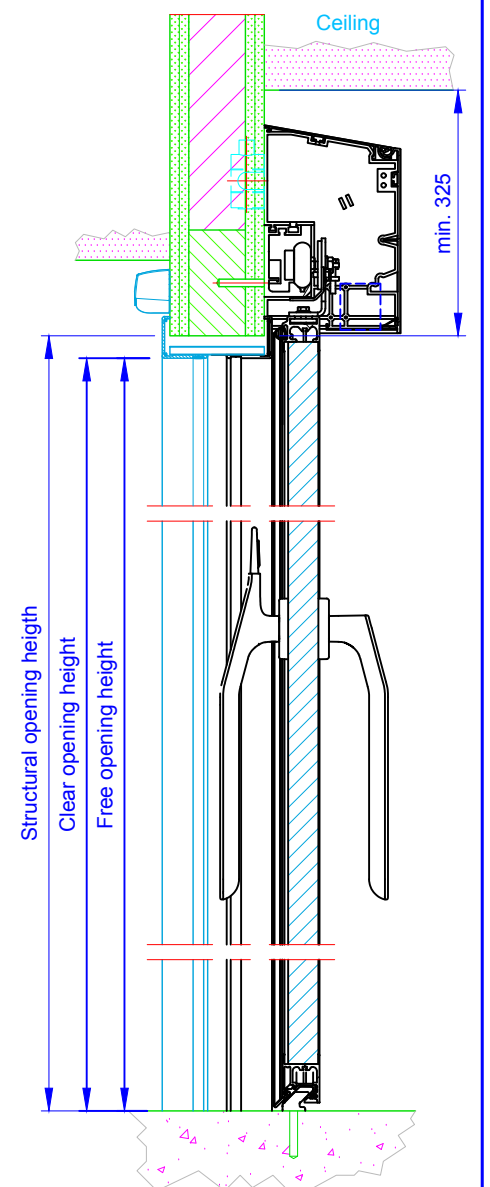
The wall construction must be strong enough to carry the doorweight. Lowering of the wall construction must not be possible.


Position 1:

B x H = free passage	1200 x 2100 mm.
Direction =	Righthand
Quantity =	1x



Frontview with door (1:30)



Title: KONE hermetical sealed door HD30, with Z2 frame			Drawing number:
Order number: --	Page no.: --	Projectie ISO-128	51430684D01
Date: --	Scale: --	⊕ A	Revision number:
Drawn by: --	Paper size: A3		A:
			B:
			Accustraart 21 Postbus 94 3900 AB Veenendaal Tel.: 0318 - 532333 Fax: 0318 - 532339
			Copyright by KONE