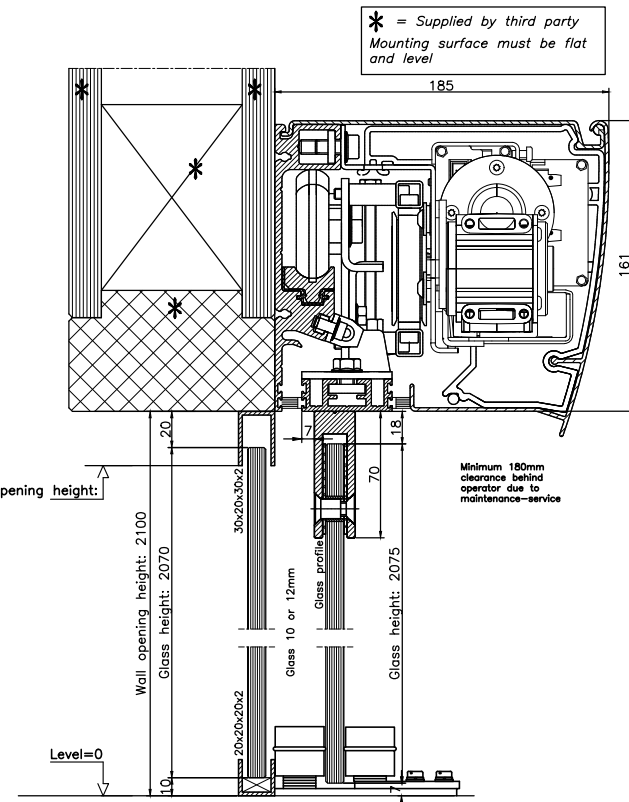
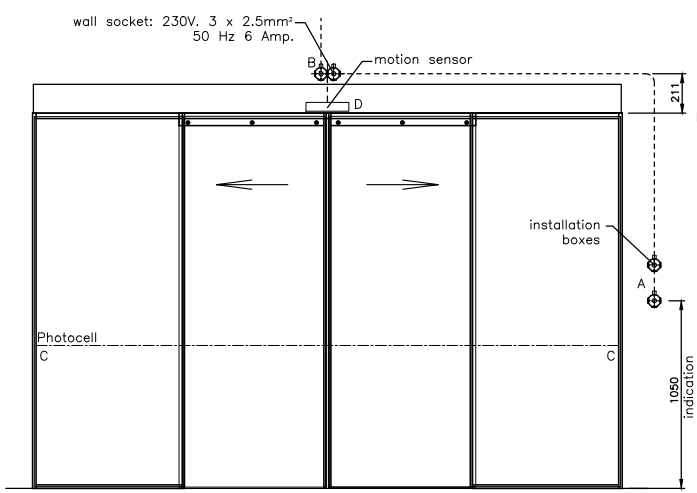
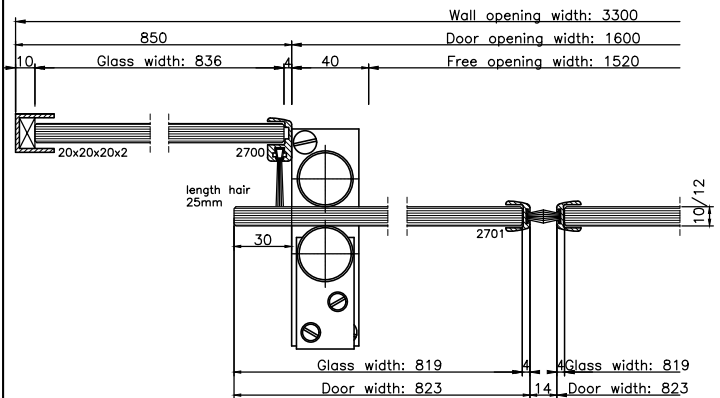
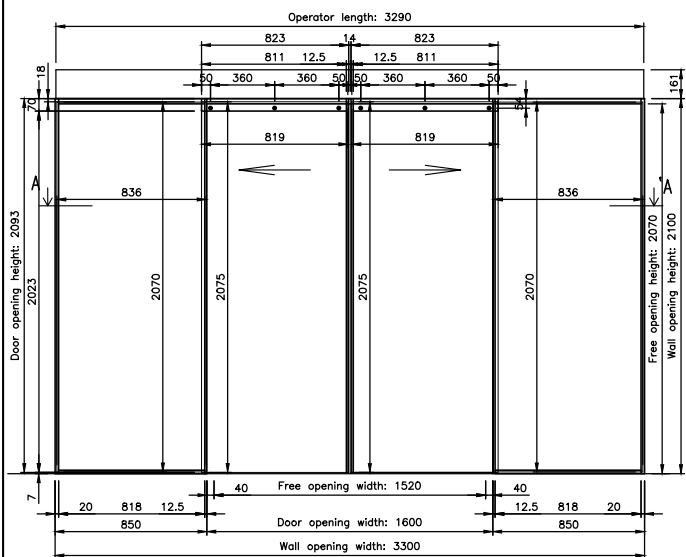


SECTION A'A



implementable signaling devices		
position	device	symbol
A	push button, 4 x 0.34mm ²	
A	domed push button, 4 x 0.34mm ²	
A	push button 2-positions, 4 x 0.34mm ²	
A	key switch, 4 x 0.34mm ²	
A	pull switch, 4 x 0.34mm ²	
A	elbow push switch, 4 x 0.34mm ²	
A	PGS wired UTP Cat5, 8 wires Ø0,5mm	
B	wall socket: 230V, 3 x 2.5mm ²	
C	photocell incl. cable	
D	motion sensor incl. cable	

other implementable electrical devices	
INPUT:	- intercom
	- fire alarm system
	potential free contact switch
OUTPUT:	- bel switch 24V
	- alarm system 24V
	I _{max.} = 400mA

Glass measurements in mm		
	WIDTH	HEIGHT
	836	2070
	819	2075
	819	2075
	836	2070

Title: A3 overview		Copyright by Kone	
Order number: KONE Sliding Door 0000711_Glass_double_with_fixed_panels		Projection ISO-128	
Date: 24-huhti-18	Scale: --	REV.NO.:	
Drawn by: Tekenaar	Paper size: A3	A: --	
		B: --	
		C: --	
		Accustraat 21 Postbus 94 3900 AB Veenendaal tel. : 0318 - 532333 fax : 0318 - 532339	